

LB-6-25-A Standard Gain Horn Antenna 110-170GHz 25dB Gain Rectangular Waveguide Interface



Standard Gain Horn Antenna Operating From 110GHz to 170GHz With a Nominal 25dB Gain With Rectangular Waveguide Interface

Product Information

SKU	LB-6-25-A
-----	-----------

Description

Standard Gain Horn Antenna LB-6-25-A, operating from 110 to 170GHz with a nominal 25dB gain and low VSWR 1.15:1 with UG387/U-M output. The model LB-6-25-A has uniform gain through its frequency span, providing efficient performance characteristics and directionality. Constructed of lightweight corrosion-resistant aluminum, the antenna will provide years of trouble-free indoor and outdoor service. This standard gain horn antenna is linearly polarized and ideally suited for EMI testing, direction finding, surveillance, antenna gain and pattern measurements and other applications.

Technical Specification

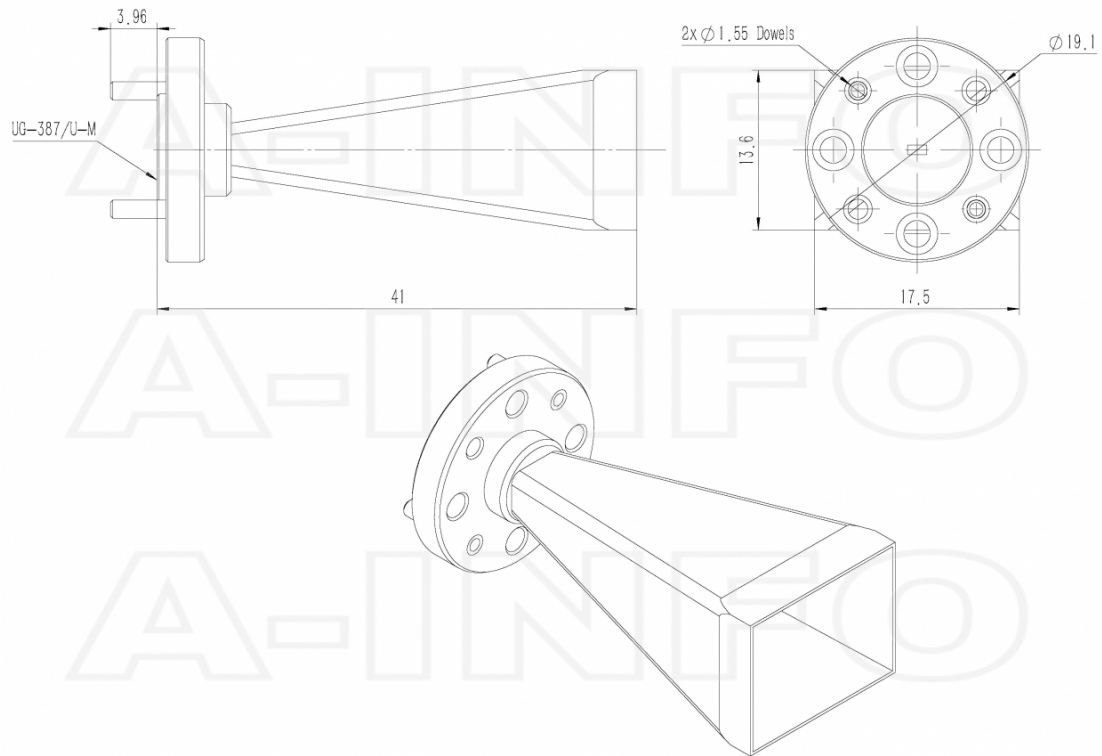
Electrical Specification		Interface	
Frequency, Min (GHz)	110	Output Type	Waveguide
Frequency, Max (GHz)	170	Flange Style	Round
Waveguide Type	Rectangular	Flange Type	Cover
Waveguide Size EIA WR	WR6	Flange Designation	UG-387/U
Gain, Typ (dBi)	25	Mechanical Specification	
Polarization	Linear	Figure	A Type
3dB Beamwidth, E-Plane, Typ (Deg.)	9	Body Material	Cu
3dB Beamwidth, H-Plane, Typ (Deg.)	10	Finish	Gold Plated
Cross Pol. Isolation, Typ (dB)	35	Size, W (mm)	19.1
VSWR, Typ	1.15:1	Size, H (mm)	19.1
		Size, L (mm)	41
		Weight, (kg)	0.02

Additional Information

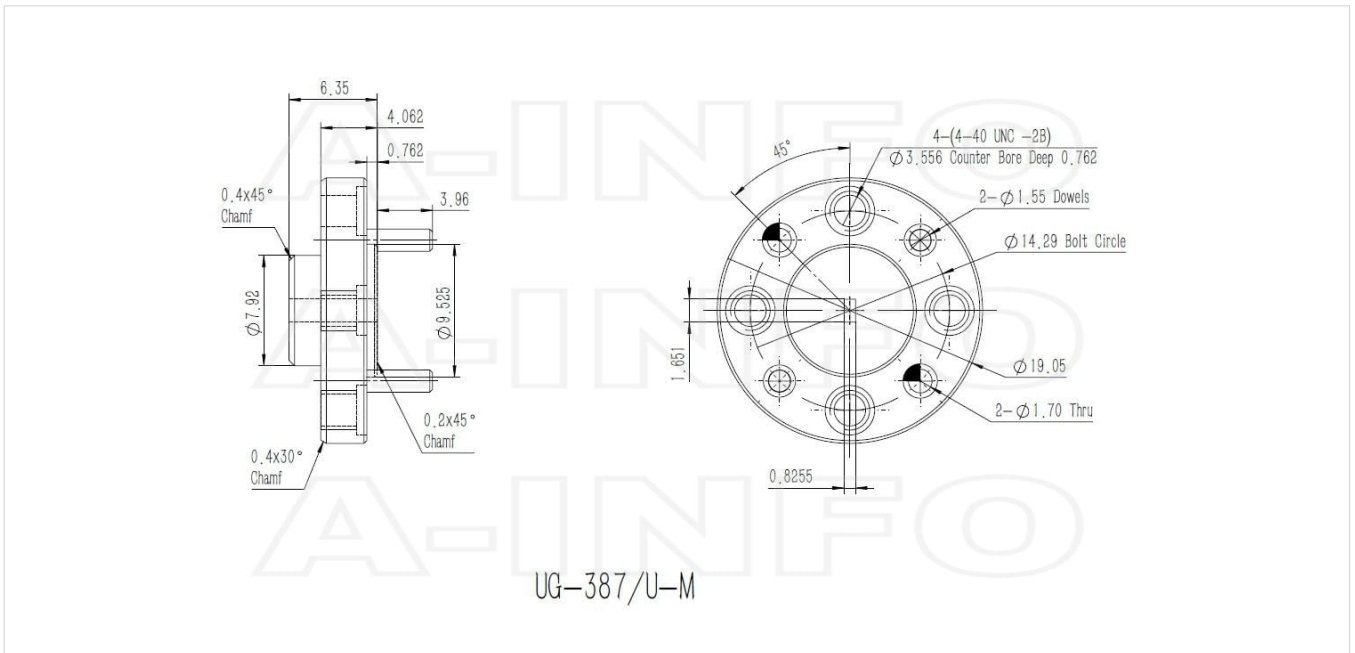
Application	General Purpose Indoor & Outdoor, Fixed	Solution for	Gain Reference Antenna Measurement Reflector Feed Far-field Measurement System Intergration Material Measurement
-------------	---	--------------	---

Outline Drawing

UG-387/U-M Output (P/N: LB-6-25-A)

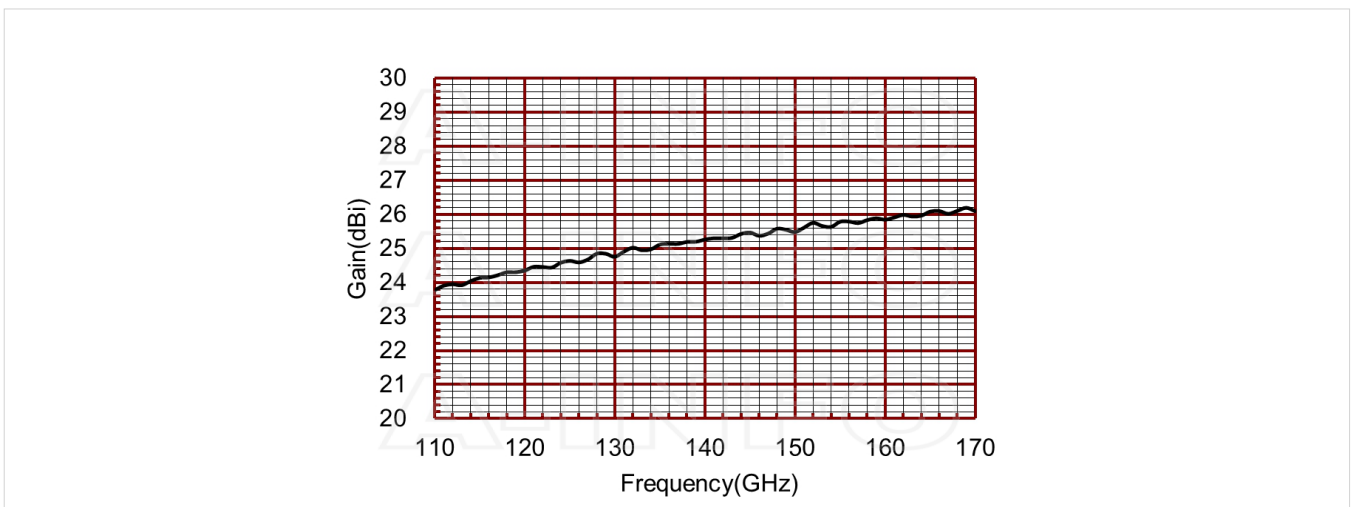


Flange Drawing

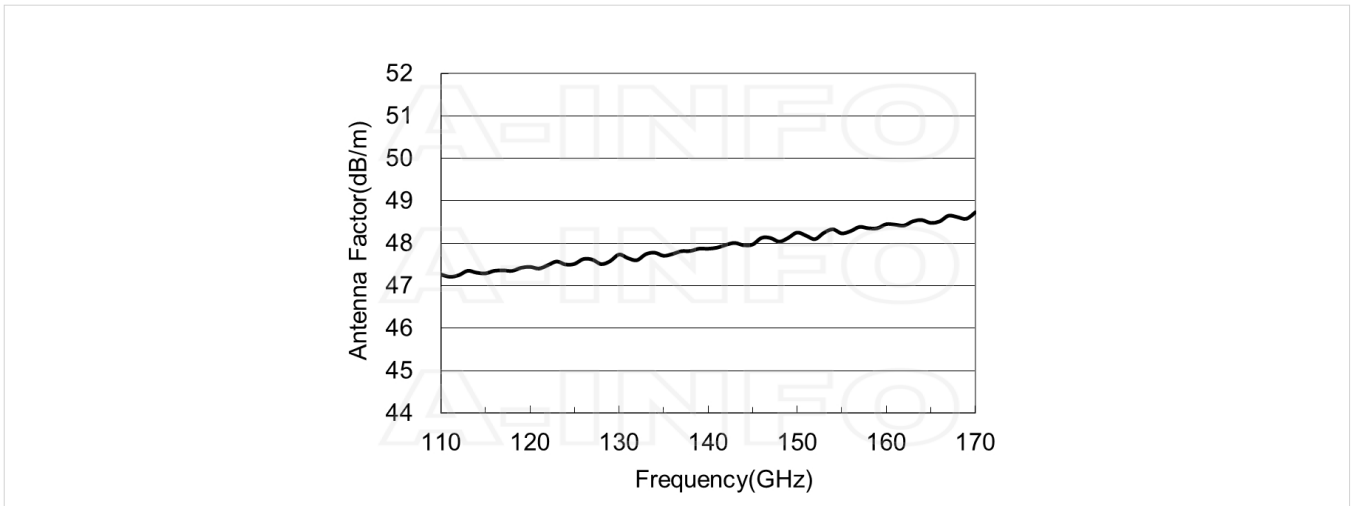


Typical Test Results

Gain



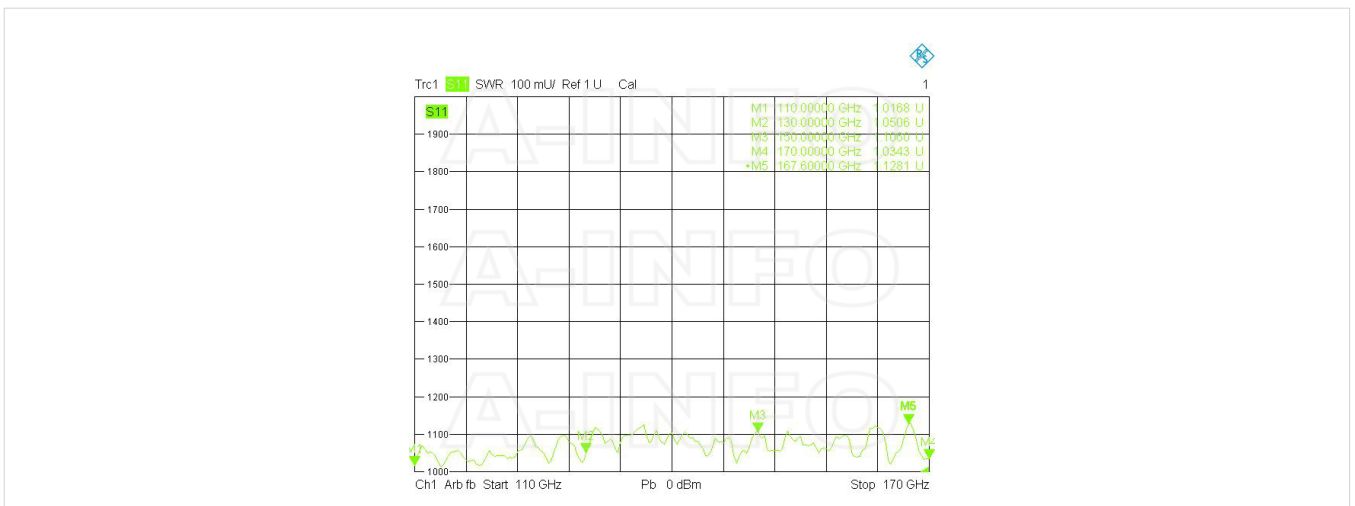
Antenna Factor



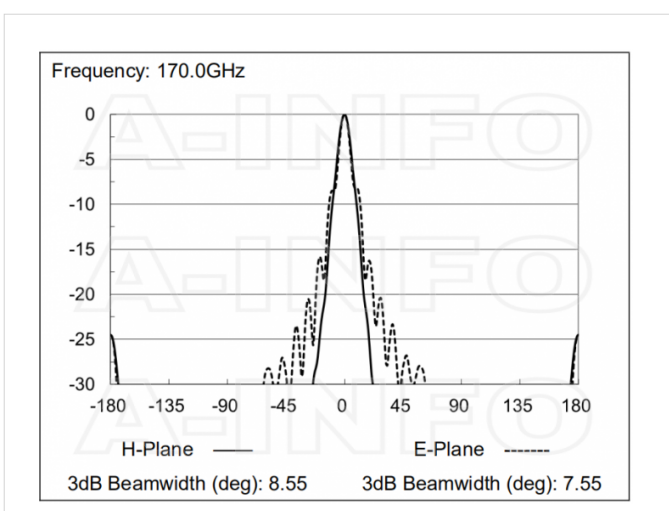
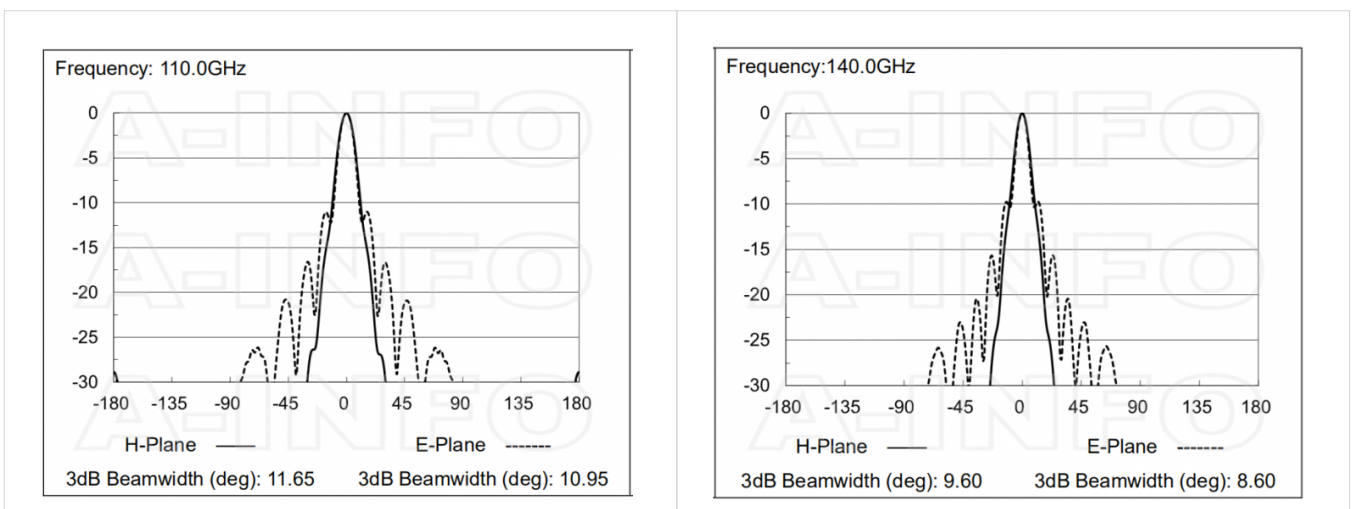
Antenna Factor (Table)

Frequency (GHz)	Gain (dBi)	Antenna Factor (dB/m)	Frequency (GHz)	Gain (dBi)	Antenna Factor (dB/m)
110	23.56	47.48	141	24.85	48.35
111	23.74	47.38	142	24.83	48.42
112	23.90	47.30	143	24.96	48.36
113	23.90	47.37	144	24.96	48.42
114	23.90	47.45	145	24.89	48.55
115	23.93	47.49	146	24.97	48.53
116	24.13	47.37	147	25.05	48.50
117	24.09	47.49	148	24.96	48.65
118	24.02	47.62	149	25.02	48.66
119	24.26	47.46	150	25.13	48.60
120	24.22	47.57	151	25.13	48.66
121	24.17	47.69	152	25.17	48.67
122	24.30	47.64	153	25.17	48.74
123	24.59	47.42	154	25.15	48.81
124	24.50	47.58	155	25.05	48.96
125	24.41	47.74	156	25.16	48.92
126	24.53	47.68	157	25.32	48.81
127	24.47	47.81	158	25.34	48.85
128	24.45	47.90	159	25.40	48.83
129	24.52	47.90	160	25.45	48.84
130	24.55	47.94	161	25.61	48.74
131	24.49	48.06	162	25.45	48.95
132	24.59	48.03	163	25.54	48.91
133	24.65	48.04	164	25.65	48.86
134	24.61	48.14	165	25.50	49.06
135	24.64	48.18	166	25.83	48.79
136	24.73	48.15	167	25.83	48.83
137	24.76	48.19	168	25.90	48.81
138	24.69	48.32	169	25.75	49.02
139	24.79	48.28	170	25.79	49.02
140	24.87	48.27			

VSWR



Pattern



Related Products



HSCS_4-40UNC_Pack Assembly Pack

Similar Products



LB-6-25-ASPO Standard Gain Horn Antenna 110-170GHz 25dB Gain Rectangular Waveguide Interface



LB-6-10-A Standard Gain Horn Antenna 110-170GHz 10dB Gain Rectangular Waveguide Interface



LB-6-10-ASPO Standard Gain Horn Antenna 110-170GHz 10dB Gain Rectangular Waveguide Interface



LB-6-15-A Standard Gain Horn Antenna 110-170GHz 15dB Gain Rectangular Waveguide Interface



LB-6-15-ASPO Standard Gain Horn Antenna 110-170GHz 15dB Gain Rectangular Waveguide Interface



LB-6-20-A Standard Gain Horn Antenna 110-170GHz 20dB Gain Rectangular Waveguide Interface



LB-6-20-ASPO Standard Gain Horn Antenna 110-170GHz 20dB Gain Rectangular Waveguide Interface

About this Datasheet

<ul style="list-style-type: none">● Product Information Product Link: https://www.ainfoinc.com/lb-6-25-a-standard-gain-horn-antenna-110-170-ghz-25db-gain-ug387-u-m Data subject to change without notice. © A-INFO INC. 2023. All Rights Reserved	<ul style="list-style-type: none">● Contact Us Address: 60 Tesla, Irvine, CA 92618, USA Website: www.ainfoinc.com Email: sales@ainfoinc.com	<ul style="list-style-type: none">● Phone & Fax Phone: +1-949-639-9688 +1-949-639-9608 Fax: +1-949-639-9670
--	--	--